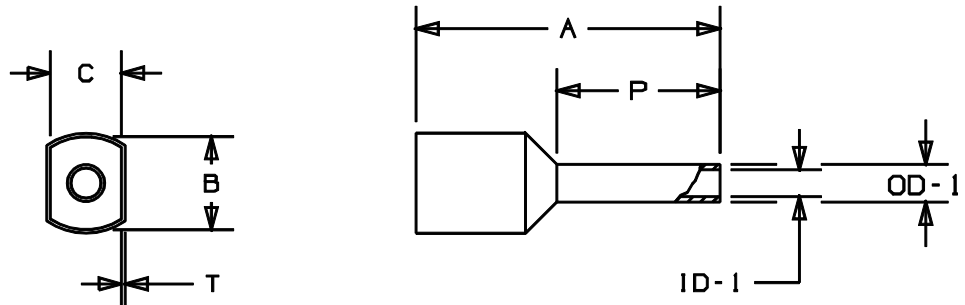


THIS COPY IS PROVIDED ON A RESTRICTED BASIS AND IS NOT TO BE USED IN ANY WAY DETRIMENTAL TO THE INTERESTS OF PANDUIT CORP.

PART NO	WIRE RANGE AWG (mm <sup>2</sup> )	COLOR	STRIP LENGTH 7/32 (18,79)	A	P	ID-1	OD-1	B	C	T	INSTALLATION TOOLS
FTD75-8-D	2 X 22 (2 X 0,50)	WHITE	7/16 (11,2)	0,59 (15,0)	0,31 (8,0)	0,06 (1,5)	0,07 (1,8)	0,18 (4,5)	0,09 (2,3)	0,01 (0,25)	CT-1002 CT-1003
FTD76-8-D	2 X 20 (2 X 0,75)	GREY	7/16 (11,2)	0,59 (15,0)	0,31 (8,0)	0,07 (1,8)	0,08 (2,1)	0,20 (5,1)	0,10 (2,6)	0,01 (0,25)	
FTD76-10-D	2 X 20 (2 X 0,75)	GREY	9/16 (14,0)	0,67 (17,0)	0,39 (10,0)	0,07 (1,8)	0,08 (2,1)	0,20 (5,1)	0,10 (2,6)	0,01 (0,25)	
FTD77-8-D	2 X 18 (2 X 1)	RED	7/16 (11,2)	0,59 (15,0)	0,31 (8,0)	0,08 (2,1)	0,09 (2,4)	0,20 (5,1)	0,12 (3,0)	0,01 (0,30)	
FTD77-10-D	2 X 18 (2 X 1)	RED	9/16 (14,0)	0,67 (17,0)	0,39 (10,0)	0,08 (2,1)	0,09 (2,4)	0,20 (5,1)	0,12 (3,0)	0,01 (0,30)	
FTD78-8-D	2 X 16 (2 X 1,50)	BLACK	7/16 (11,2)	0,63 (16,0)	0,31 (8,0)	0,09 (2,3)	0,10 (2,6)	0,25 (6,4)	0,14 (3,5)	0,01 (0,30)	
FTD78-12-D	2 X 16 (2 X 1,50)	BLACK	21/32 (16,8)	0,79 (20,0)	0,47 (12,0)	0,09 (2,3)	0,10 (2,6)	0,25 (6,4)	0,14 (3,5)	0,01 (0,30)	
FTD80-10-TL	2 X 14 (2 X 2,50)	BLUE	9/16 (14,0)	0,73 (18,5)	0,39 (10,0)	0,11 (2,9)	0,13 (3,3)	0,30 (7,5)	0,16 (4,0)	0,01 (0,30)	
FTD80-13-TL	2 X 14 (2 X 2,50)	BLUE	23/32 (18,2)	0,85 (21,5)	0,51 (13,0)	0,11 (2,9)	0,13 (3,3)	0,30 (7,5)	0,16 (4,0)	0,01 (0,30)	
FTD81-12-C	2 X 12 (2 X 4)	GREY	21/32 (16,8)	0,91 (23,0)	0,47 (12,0)	0,15 (3,8)	0,17 (4,2)	0,34 (8,6)	0,19 (4,9)	0,01 (0,30)	
FTD82-14-C	2 X 10 (2 X 6)	YELLOW	25/32 (19,6)	0,98 (25,0)	0,55 (14,0)	0,18 (4,6)	0,20 (5,0)	0,38 (9,6)	0,23 (5,8)	0,01 (0,30)	CT-1003 CT-1004

NOTES:

- MATERIAL:  
A. STAMPING - COPPER, TIN PLATED  
B. HOUSING - PLASTIC, COLOR CODED
- DIMENSIONS IN BRACKETS ARE IN mm OR mm<sup>2</sup>
- FOR TOLERANCING REFER TO DIN 46228 PART 4
- PACKAGE QTY: -C=100  
-TL=250  
-D=500



A41669\_03

03	1/01	EJS		ADDED PACKAGE CODE TO PART NUMBER, ADDED NOTE 4				 TINLEY PARK, ILLINOIS
02	3/99	JKD	SKB	WIRE RANGE FOR CT-1003 TOOL WAS 2 X 18 - 2 X 12	07519	TRO	JCJ	
01	3/99	JKD	SKB	WIRE RANGE WAS 2 X 20 FOR FTD75-8	07488	TRO	JCJ	
00	2/99	JKD	SKB	RELEASED	07459	TRO	JCJ	
FERRULE DUAL WIRE (DIN)								
REV	DATE	BY	CHK	DESCRIPTION	ECN #	PM	CUST	DRAWN BY JKD Ck'D SKB SCALE NONE DRAWING NO. A41669